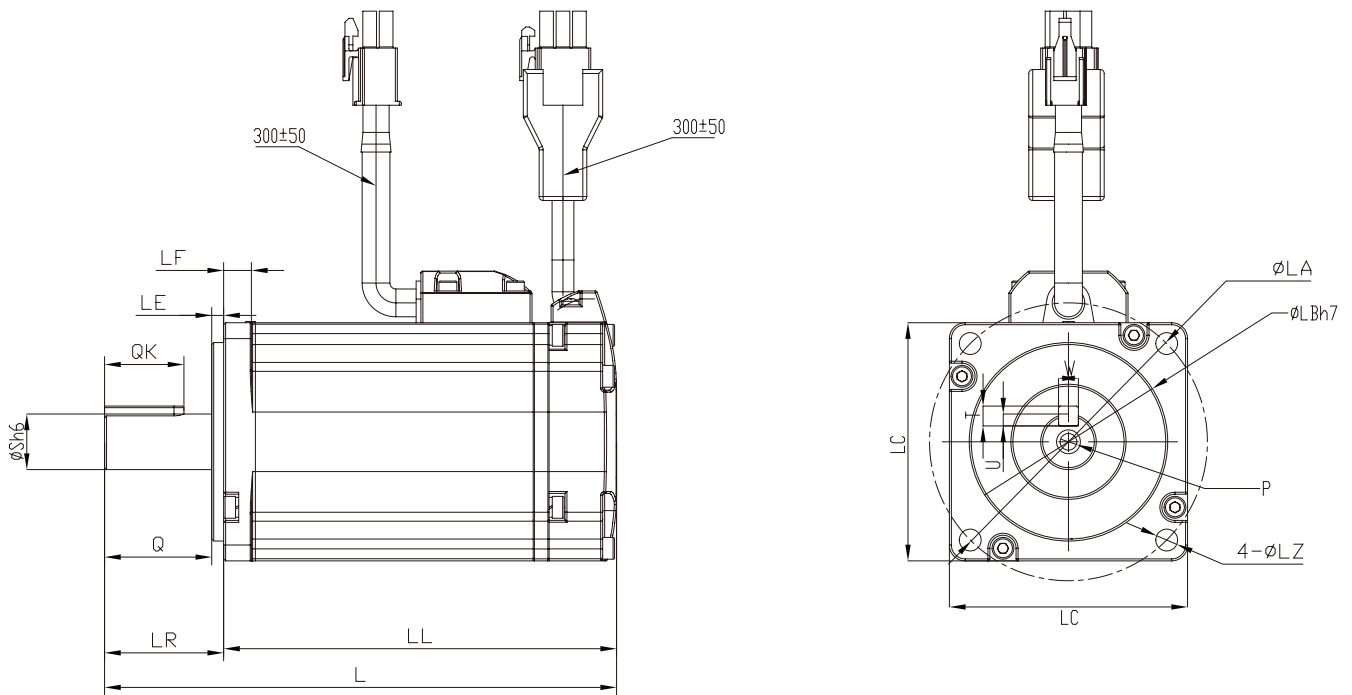


UMM-B4: Motor Dimensions



unit: mm

Part Number	L*	LL*	Flange Side							S	Tap × Depth	Key				
			LR	LE	LF	LC	LA	LB	LZ			QK	W	T	U	Q
UMM-0000BA□-B4	92.5 (126)	62.5 (96)	25	2.5	5	40	46	30	4.3	8	M3X6	14	3	3	1.8	22.5
UMM-0001BA□-B4	108.5 (142)	78.5 (112)														
UMM-0002BA□-B4	108 (137)	78 (107)	30	3	7	60	70	50	6	14	M5×12	20	5	5	3	27
UMM-0004BA□-B4	129 (158)	99 (128)														
UMM-0007CA□-B4	141 (184)	111 (144)	40	3	8	80	90	70	7	19	M6×12	25	6	6	3.5	37
UMM-0010CA□-B4	155 (198)	125 (158)														
UMM-0002BN□-B4	126.5 (155.5)	96.5 (125.5)	30	3	7	60	70	50	6	14	M5×12	20	5	5	3	27
UMM-0004BN□-B4	147.5 (176.5)	117.5 (146.5)														
UMM-0007CN□-B4	159.5 (202.5)	129.5 (162.5)	40	3	8	80	90	70	7	19	M6×12	25	6	6	3.5	37
UMM-0010CN□-B4	173.5 (216.5)	143.5 (176.5)														

*The values in parentheses are for servo motors with holding brakes

□ - Add the letter B in the square in order to include holding brake eg. UMM-0004BA□-B4 -> UMM-0004BAB-B4