

# The GSM-41J Modem Kit: Enfora GSM1308/1318

This kit enables your SMS-enabled OPLC to communicate via cellular networks. The kit contains an Enfora GSM1308/1318 modem and related hardware. The modem can communicate via GSM, GPRS + TCP/IP at 850/900/1800/1900 MHz.

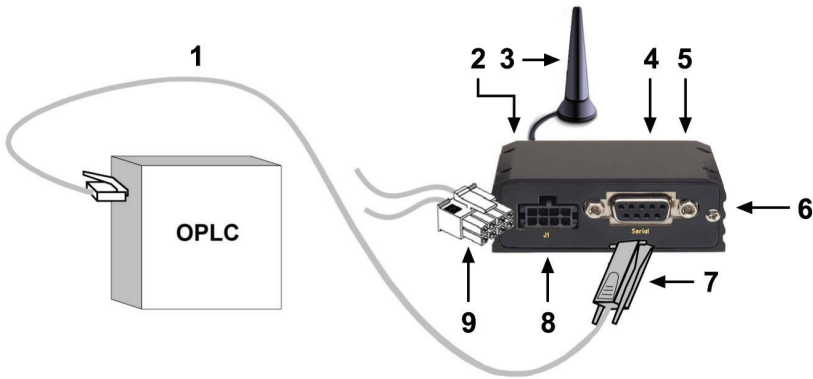
**Note:**

**Standard Vision controllers only: V120, V230, V260, V280, V530, V290 (V290-19-B20B only)**

VisiLogic programs including the GPRS Function Block must use FB V5.04 and later. To learn how to update FBs, refer to the VisiLogic Help topic *FBs Library*.

## Connection

The figure below shows you how to assemble the different elements of the Enfora GSM1308/1318 modem, and how to connect the modem to an OPLC.



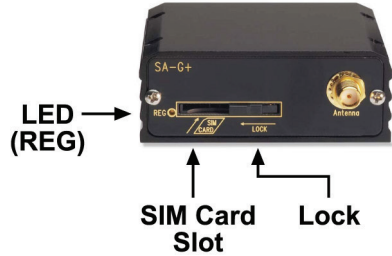
## Component Identification

#	Description	Notes
1	Communication cable, controller to modem	<b>Vision Series / M90/91 Series:</b> To connect the modem to the PLC, use the standard programming cable that is supplied with your controller, or with your controller's programming kit. <b>Jazz Series:</b> Jazz does not comprise an embedded communication port Add-on ports are available by separate order Use the communication cable supplied with the Add-on port
2	GSM antenna connector	Located on modem
3	GSM antenna	
4	SIM card slot	Located on modem. See page 2
5	LED	Located on modem. See page 2
6	9-pin RS232 port	Located on modem
7	9 pin male adapter	p/n MJ10-22-CS72
8	Power supply socket	Located on modem
9	Power supply cable	Cable p/n 211300508

## SIM Card

To insert the SIM card, slide it into the slot until it clicks into place, and then slide the lock to the left.

To remove the card, slide the lock to the right and then press the card; a spring releases and partially ejects the card.



## LED: Status Indication

The modem has one green LED on the panel labeled REG (shown above).

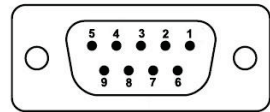
REG indicates GSM network registration status.

- Flashing, when attempting to register on a GSM network.
- Continually lit, when the modem is registered with a GSM network.

## Modem RS232 port pin-out

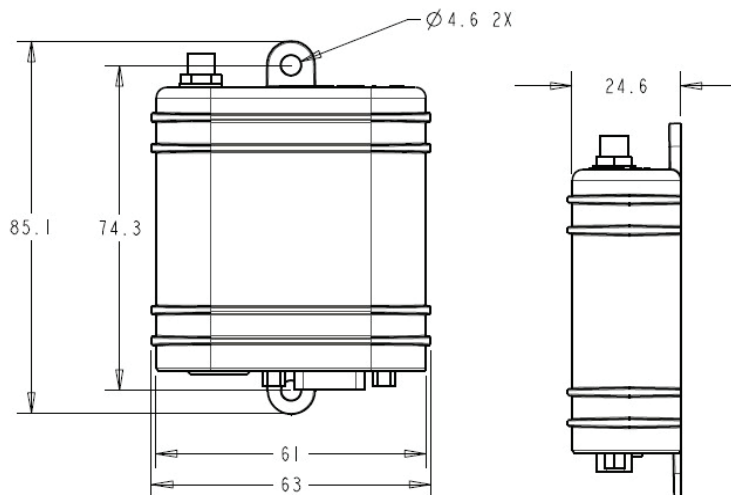
D-type 9 pin female connector:

Pin	Description	Direction
1	DCD (Data Carrier Detect)	O
2	RxD (Receive Data)	O
3	TxD (Transmit Data)	I
4	DTR (Data Terminal Ready)	I
5	GND (Signal Ground)	-
6	DSR (Data Set Ready)	O
7	RTS (Request to Send)	I
8	CTS (Clear To Send)	O
9	RING (Ring Indicator)	O



## Mounting

Use the screw brackets shown in the following figure to mount the device.



## Technical Specifications

### Modem

Power voltage range	6 - 40VDC
Status indication	LED - see page 2
SIM card	3V (with locking mechanism)
GSM frequency	850/900/1800/1900 MHz
Weight	147g (5.19oz)
Dimensions	63.5x63.5x23.9mm (2.5"x2.5"x0.94")
Operational temperature	-30 to 70°C (-22 to 158°F)
Storage temperature	-40 to 85°C (-40 to 185°F)
Antenna connector type	SMA female

### Antenna

Antenna frequency	Quad band GSM:850/900/1800/1900 MHz
-------------------	-------------------------------------

Unitronics product sold hereunder can be used with certain products of other manufacturers at the user's sole responsibility.

The information provided is subject to change without notice.

The information in this document reflects products at the date of printing. Unitronics reserves the right, subject to all applicable laws, at any time, at its sole discretion, and without notice, to discontinue or change the features, designs, materials and other specifications of its products, and to either permanently or temporarily withdraw any of the forgoing from the market.

All information in this document is provided "as is" without warranty of any kind, either expressed or implied, including but not limited to any implied warranties of merchantability, fitness for a particular purpose, or non-infringement. Unitronics assumes no responsibility for errors or omissions in the information presented in this document. In no event shall Unitronics be liable for any special, incidental, indirect or consequential damages of any kind, or any damages whatsoever arising out of or in connection with the use or performance of this information.

The tradenames, trademarks, logos and service marks presented in this document, including their design, are the property of Unitronics (1989) (R'G) Ltd. or other third parties and you are not permitted to use them without the prior written consent of Unitronics or such third party as may own them.