

This guide provides basic information for Unitronics' controllers V1040-T20B.

General Description

V1040 OPLCs are programmable logic controllers that comprise a built-in operating panel containing a 10.4" Color Touchscreen. The V1040 offers function keys along with a virtual alpha-numeric keyboard which is automatically displayed when the application requires the operator to enter data.

Communications

- 2 isolated RS232/RS485 ports
- USB programming port (Mini-B)
- Isolated CANbus port
- The user can order and install an additional port. This may be either Ethernet or serial.
- Communication Function Blocks include: SMS, GPRS, MODBUS serial/IP; Protocol FB enables PLC to communicate with almost any external device, via serial or Ethernet communications

I/O Options

V1040 supports digital, high-speed, analog, weight and temperature measurement I/Os via:

- Snap-in I/O Modules
Plug into the back of the controller to provide an on-board I/O configuration
- I/O Expansion Modules
Local or remote I/Os may be added via expansion port or CANbus.



Installation instructions and other data may be found in the module's technical specification sheet.

Information Mode

This mode enables you to:

- Calibrate the touchscreen
- View & Edit operand values, COM port settings, RTC and screen contrast/brightness settings
- Stop, initialize, and reset the PLC

To enter Information Mode, press the touchscreen and maintain contact for several seconds.

Programming Software, & Utilities

The Unitronics Setup CD contains VisiLogic software and other utilities

- VisiLogic
Easily configure hardware and write both HMI and Ladder control applications; the Function Block library simplifies complex tasks such as PID. Write your application, and then download it to the controller via the programming cable included in the kit.
- Utilities
These include UniOPC server, Remote Access for remote programming and diagnostics, and DataXport for run-time data logging.

To learn how to use and program the controller, as well as use utilities such as Remote Access, refer to the VisiLogic Help system.

Removable Memory Storage	Micro-SD card: store datalogs, Alarms, Trends, Data Tables; export to Excel; backup Ladder, HMI & OS and use this data to 'clone' PLCs. For more data, refer to the <i>SD</i> topics in the VisiLogic Help system.
Data Tables	Data tables enable you to set recipe parameters and create datalogs.



Additional product documentation is in the Technical Library, located at www.unitronicsplc.com.
Technical support is available at the site, and from support@unitronics.com.

Standard Kit Contents

Vision controller	Mounting brackets (x8)
3 pin power supply connector	Rubber seal
5 pin CANbus connector	
CANbus network termination resistor	
Battery (not installed)	

Danger Symbols

When any of the following symbols appear, read the associated information carefully.

Symbol	Meaning	Description
	Danger	The identified danger causes physical and property damage.
	Warning	The identified danger could cause physical and property damage.
<i>Caution</i>	Caution	Use caution.

- Before using this product, the user must read and understand this document.
- All examples and diagrams are intended to aid understanding, and do not guarantee operation. Unitronics accepts no responsibility for actual use of this product based on these examples.
- Please dispose of this product according to local and national standards and regulations.
- Only qualified service personnel should open this device or carry out repairs.



Failure to comply with appropriate safety guidelines can cause severe injury or property damage.



- Do not attempt to use this device with parameters that exceed permissible levels.
- To avoid damaging the system, do not connect/disconnect the device when power is on.

Environmental Considerations



- Do not install in areas with: excessive or conductive dust, corrosive or flammable gas, moisture or rain, excessive heat, regular impact shocks or excessive vibration, in accordance with the standards given in the product's technical specification sheet.

- Ventilation: 10mm space required between controller's top/bottom edges & enclosure walls.



- Do not place in water or let water leak onto the unit.
- Do not allow debris to fall inside the unit during installation.
- Install at maximum distance from high-voltage cables and power equipment.

UL Compliance

The following section is relevant to Unitronics' products that are listed with the UL.

The model: V1040-T20B is UL listed for Hazardous Locations.

The model: V1040-T20B is UL listed for Ordinary Location.



UL Ordinary Location

In order to meet the UL ordinary location standard, panel-mount this device on the flat surface of Type 1 or 4 X enclosures

UL Ratings, Programmable Controllers for Use in Hazardous Locations,

Class I, Division 2, Groups A, B, C and D

These Release Notes relate to all Unitronics products that bear the UL symbols used to mark products that have been approved for use in hazardous locations, Class I, Division 2, Groups A, B, C and D.

-
- Caution*
- This equipment is suitable for use in Class I, Division 2, Groups A, B, C and D, or Non-hazardous locations only.
- 
- Input and output wiring must be in accordance with Class I, Division 2 wiring methods and in accordance with the authority having jurisdiction.
- 
- **WARNING—Explosion Hazard—**substitution of components may impair suitability for Class I, Division 2.
 - **WARNING – EXPLOSION HAZARD –** Do not connect or disconnect equipment unless power has been switched off or the area is known to be non-hazardous.
 - **WARNING – Exposure to some chemicals may degrade the sealing properties of material used in Relays.**
 - This equipment must be installed using wiring methods as required for Class I, Division 2 as per the NEC and/or CEC.
-

Panel-Mounting

For programmable controllers that can be mounted also on panel, in order to meet the UL Haz Loc standard, panel-mount this device on the flat surface of Type 1 or Type 4X enclosures.

Communication and Removable Memory Storage

When products comprise either USB communication port, SD card slot, or both, neither the SD card slot nor the USB port are intended to be permanently connected, while the USB port is intended for programming only.

Removing / Replacing the battery

When a product has been installed with a battery, do not remove or replace the battery unless the power has been switched off, or the area is known to be non-hazardous.

Please note that it is recommended to back up all data retained in RAM, in order to avoid losing data when changing the battery while the power is switched off. Date and time information will also need to be reset after the procedure.

UL des zones ordinaires:

Pour respecter la norme UL des zones ordinaires, monter l'appareil sur une surface plane de type de protection 1 ou 4X

Certification UL des automates programmables, pour une utilisation en environnement à risques, Class I, Division 2, Groups A, B, C et D.

Cette note fait référence à tous les produits Unitronics portant le symbole UL - produits qui ont été certifiés pour une utilisation dans des endroits dangereux, Classe I, Division 2, Groupes A, B, C et D.

Attention ▪ Cet équipement est adapté pour une utilisation en Classe I, Division 2, Groupes A, B, C et D, ou dans Non-dangereux endroits seulement.



▪ Le câblage des entrées/sorties doit être en accord avec les méthodes de câblage selon la Classe I, Division 2 et en accord avec l'autorité compétente.



▪ **AVERTISSEMENT: Risque d'Explosion** – Le remplacement de certains composants rend caduque la certification du produit selon la Classe I, Division 2.

▪ **AVERTISSEMENT - DANGER D'EXPLOSION** - Ne connecter pas ou ne débranche pas l'équipement sans avoir préalablement coupé l'alimentation électrique ou la zone est reconnue pour être non dangereuse.

▪ **AVERTISSEMENT** - L'exposition à certains produits chimiques peut dégrader les propriétés des matériaux utilisés pour l'étanchéité dans les relais.

▪ Cet équipement doit être installé utilisant des méthodes de câblage suivant la norme Class I, Division 2 NEC et /ou CEC.

Montage de l'écran:

Pour les automates programmables qui peuvent aussi être monté sur l'écran, pour pouvoir être au standard UL, l'écran doit être monté dans un coffret avec une surface plane de type 1 ou de type 4X.

Communication et de stockage amovible de mémoire (carte mémoire)

Produits comprend un port USB de communication, soit un port carte SD ou les deux, ni le port SD, ni le port USB ne sont censés être utilisés en permanence, tandis que l'USB est destiné à la programmation uniquement.

Retrait / Remplacement de la batterie

Lorsqu'un produit a été installé avec une batterie, retirez et remplacez la batterie seulement si l'alimentation est éteinte ou si l'environnement n'est pas dangereux.

Veuillez noter qu'il est recommandé de sauvegarder toutes les données conservées dans la RAM, afin d'éviter de perdre des données lors du changement de la batterie lorsque l'alimentation est coupée. Les informations sur la date et l'heure devront également être réinitialisées après la procédure

Inserting the Battery

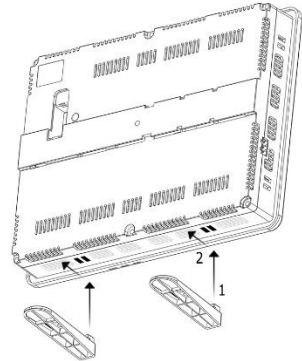
In order to preserve data in case of power-off, you must insert the battery.

The battery is supplied taped to the battery cover on the rear of the controller.

1. Remove the battery cover shown on page 6. The polarity (+) is marked on the battery holder and on the battery.
2. Insert the battery, ensuring that the polarity symbol on the battery is:
 - facing up
 - aligned with the symbol on the holder
3. Replace the battery cover.

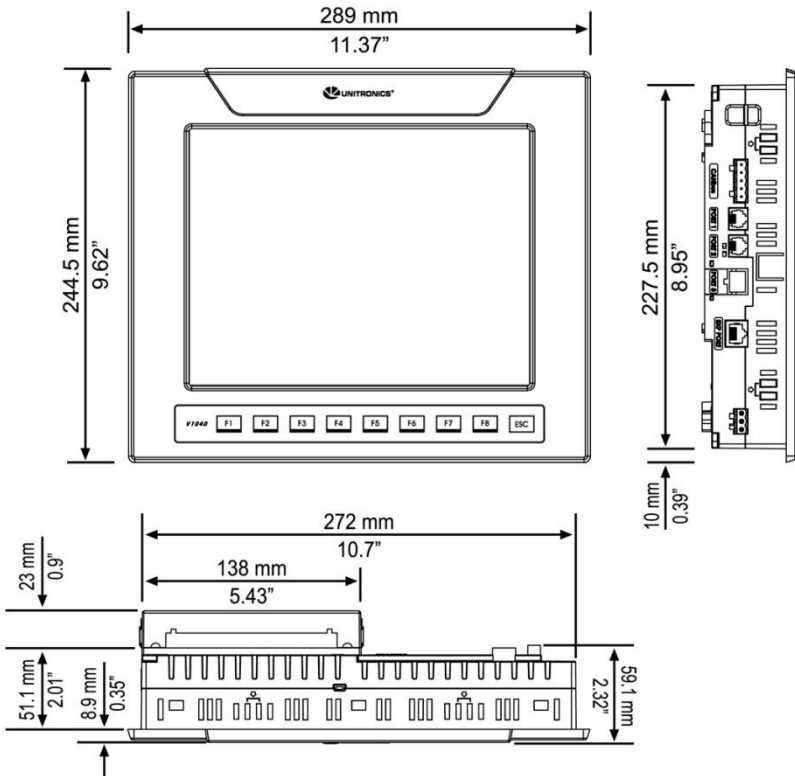
Panel Support Installation

1. Insert the Panel Support tabs into their location.
Note that the exact location varies according to the panel model.
2. Pull on the Panel Support until it locks (clicks) into its place.



Mounting

Dimensions

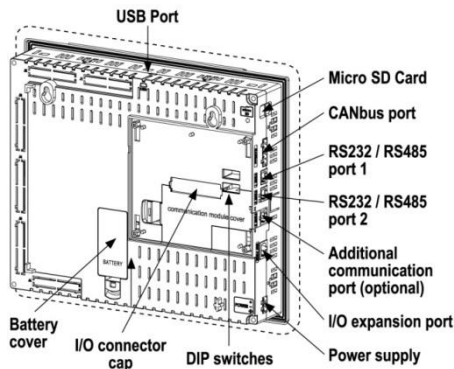
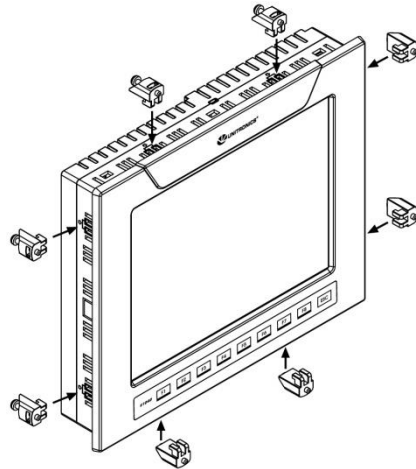
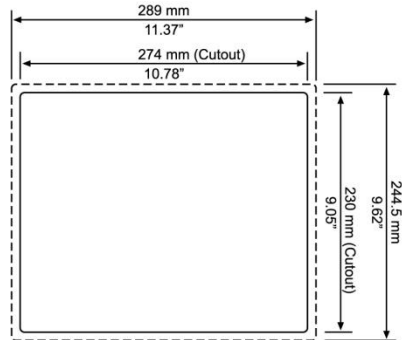


Note that the LCD screen may have a single pixel that is permanently either black or white.

Panel Mounting

Before you begin, note that the mounting panel cannot be more than 5 mm thick.

1. Make a panel cut-out according to the dimensions in the figure to the right.
2. Slide the controller into the cut-out, ensuring that the rubber seal is in place.
3. Push the 8 mounting brackets into their slots on the sides of the controller as shown in the figure to the right.
4. Tighten the bracket screws against the panel. Hold the bracket securely against the unit while tightening the screw.
5. When properly mounted, the controller is squarely situated in the panel cut-out as shown below.



Caution ■ The necessary torque is 0.45 N·m (4.5 kgf·cm).

Wiring



- Do not touch live wires.



- Install an external circuit breaker. Guard against short-circuiting in external wiring.
- Use appropriate circuit protection devices.
- Unused pins should not be connected. Ignoring this directive may damage the device.
- Double-check all wiring before turning on the power supply.

Caution

- To avoid damaging the wire, do not exceed a maximum torque of 0.5 N·m (5 kgf·cm).
- Do not use tin, solder, or any substance on stripped wire that might cause the wire strand to break.
- Install at maximum distance from high-voltage cables and power equipment.

Wiring Procedure

Use crimp terminals for wiring; use 26-12 AWG wire (0.13 mm²–3.31 mm²).

1. Strip the wire to a length of 7±0.5mm (0.250–0.300 inches).
2. Unscrew the terminal to its widest position before inserting a wire.
3. Insert the wire completely into the terminal to ensure a proper connection.
4. Tighten enough to keep the wire from pulling free.

Power Supply

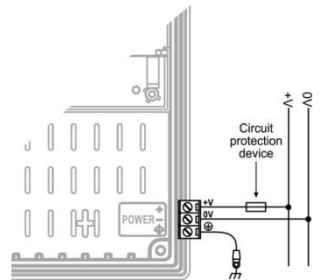
The controller V1040-T20B requires either an external 12 or 24VDC power supply. Permissible input voltage range: 10.2-28.8VDC, with less than 10% ripple.



- The power supply must include double insulation. Outputs must be rated as SELV/PELV/Class 2/Limited Power.
- Do not connect either the 'Neutral' or 'Line' signal of the 110/220VAC to device's 0V pin.



- Install an external circuit breaker. Guard against short-circuiting in external wiring.
- Double-check all wiring before turning on the power supply.
- In the event of voltage fluctuations or non-conformity to voltage power supply specifications, connect the device to a regulated power supply.



Earthing the OPLC

To maximize system performance, avoid electromagnetic interference by:

- Mounting the controller on a metal panel.
- Connect the functional earth terminal of the OPLC, and the common and ground lines of I/Os, directly to the earth ground of your system.
- For ground wiring, use the shortest and thickest possible wire.

Communication Ports

This series comprises a USB port, 2 RS232/RS485 serial ports and a CANbus port. An additional port may be ordered separately and installed. This port may be either Ethernet, or serial (COM 3). For the most updated information regarding ports and their installation, please refer to the Technical Library at www.unitronics.com.



- Turn off power before making communications connections.

Caution

- Always use the appropriate port adapters.

The USB port may be used for programming, OS download, and PC access.

Note that **COM port 1 function is suspended when this port is physically connected to a PC.**

The serial ports are type RJ-11 and may be set to either RS232 or RS485 via DIP switches, in accordance with the table shown below.

Use RS232 to download programs from a PC, and to communicate with serial devices and applications, such as SCADA.

Use RS485 to create a multi-drop network containing up to 32 devices.

Pinouts

The pinouts below show PLC port signals.

To connect a PC to a port that is set to RS485, remove the RS485 connector, and connect the PC to the PLC via the programming cable. Note that this is possible only if flow control signals are not used (which is the standard case).

RS232	
Pin #	Description
1*	DTR signal
2	0V reference
3	TXD signal
4	RXD signal
5	0V reference
6*	DSR signal

RS485**		Controller Port
Pin #	Description	
1	A signal (+)	
2	(RS232 signal)	
3	(RS232 signal)	
4	(RS232 signal)	
5	(RS232 signal)	
6	B signal (-)	

*Standard programming cables do not provide connection points for pins 1 and 6.

**When a port is adapted to RS485, Pin 1 (DTR) is used for signal A, and Pin 6 (DSR) signal is used for signal B.

RS232 to RS485: Changing DIP Switch Settings

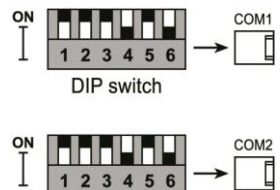
The ports are set to RS232 by factory default.

To change the settings, first remove the Snap-in I/O Module, if one is installed, and then set the switches according to the following table.

RS232/RS485: DIP Switch Settings

The settings below are for each COM port.

	Switch Settings					
	1	2	3	4	5	6
RS232*	ON	ON	ON	OFF	ON	OFF
RS485	OFF	OFF	OFF	ON	OFF	ON
RS485 with termination**	ON	ON	OFF	ON	OFF	ON



*Default factory setting

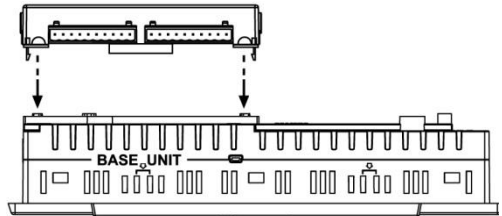
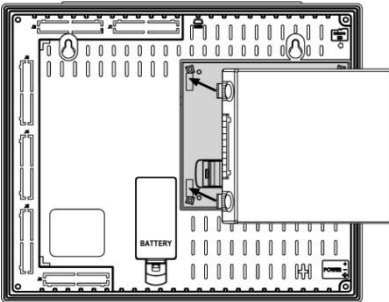
**Causes the unit to function as an end unit in an RS485 network

Installing a Snap-in I/O Module



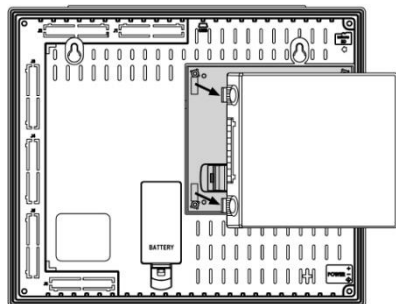
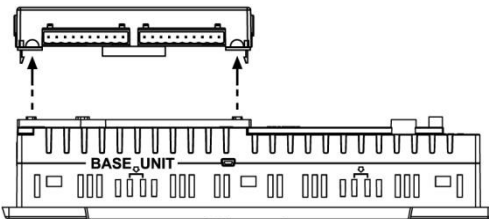
- Before installing a Snap-In Module, ensure that the Communication Module Cover is closed.

1. Remove the I/O connector cap shown on Page 6.
2. Line the circular guidelines on the Snap-in I/O Module with the slots on the controller as shown below.
3. Apply even pressure on all 4 corners until you hear a distinct ‘click’. The module is now installed. Check that all sides and corners are correctly aligned.



Removing a Snap-in I/O Module

1. Locate the four buttons on the sides of the controller, two on either side.
2. Press the buttons and hold them down to open the locking mechanism.
3. Gently rock the module from side to side, easing the module from the controller.



CANbus

These controllers comprise a CANbus port. Use this to create a decentralized control network using one of the following CAN protocols:

- CANopen: 127 controllers or external devices
- CANLayer 2, J1939
- Unitronics' proprietary UniCAN: 60 controllers, (512 data bytes per scan)

The CANbus port is galvanically isolated.

CANbus Wiring

Use twisted-pair cable. DeviceNet® thick shielded twisted pair cable is recommended.

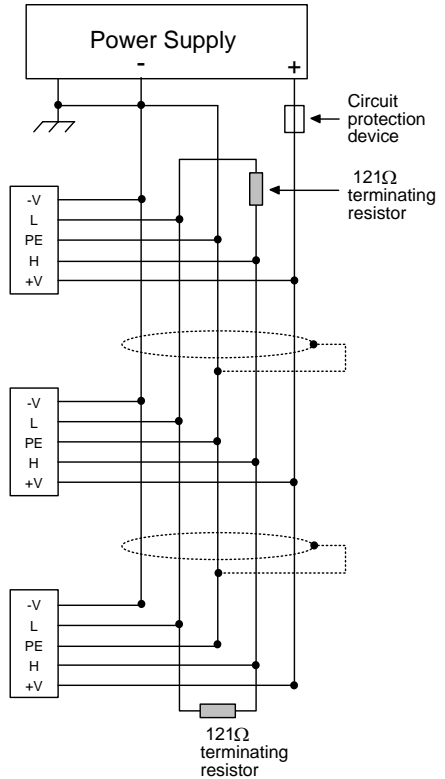
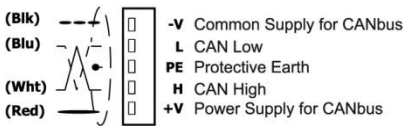
Network terminators: These are supplied with the controller. Place terminators at each end of the CANbus network.

Resistance must be set to 1%, 121Ω, 1/4W.

Connect ground signal to the earth at only one point, near the power supply.

The network power supply need not be at the end of the network

CANbus Connector



Technical Specifications

Power Supply

Input voltage	12 or 24VDC
Permissible range	10.2-28.8VDC
Max. current consumption	840mA@12V 420mA@24V

Battery

Back-up	7 years typical at 25°C, battery back-up for RTC and system data, including variable data.
Replaceable	Yes, without opening the controller.

Graphic Display Screen

	See Note 1
LCD Type	TFT
Illumination backlight	White LED
Display resolution, pixels	800x600 (SVGA)
Viewing area	10.4"
Colors	65,536 (16-bit)
Touchscreen	Resistive, analog
'Touch' indication	Via buzzer
Screen brightness	Via software (Store value to SI 9).
Keypad	Displays virtual keyboard when the application requires data entry.

Notes:

- Note that the LCD screen may have a single pixel that is permanently either black or white.

Keypad

Number of keys	9 programmable function keys
Key type	Metal dome, sealed membrane switch

Program

Memory size Application Logic – 2MB, Images – 80MB, Fonts – 1MB

Operand type	Quantity	Symbol	Value
Memory Bits	8192	MB	Bit (coil)
Memory Integers	4096	MI	16-bit
Long Integers	512	ML	32-bit
Double Word	256	DW	32-bit unsigned
Memory Floats	64	MF	32-bit
Timers	384	T	32-bit
Counters	32	C	16-bit

Data Tables 120K dynamic RAM data (recipe parameters, datalogs, etc.)
Up to 256K Flash data

HMI displays Up to 1024

Program scan time 9 µsec per 1K of typical application

Removable Memory

Micro-SD card

Compatible with fast micro-SD cards; store datalogs, Alarms, Trends, Data Tables, backup Ladder, HMI, and OS. See Note 2

Notes:

2. User must format via Unitronics SD tools utility.

Communication

Serial ports	2. See Note 3															
RS232																
Galvanic isolation	Yes															
Voltage limits	±20VDC absolute maximum															
Baud rate range	300 to 115200 bps															
Cable length	Up to 15m (50')															
RS485																
Galvanic isolation	Yes															
Voltage limits	-7 to +12VDC differential maximum															
Baud rate range	300 to 115200 bps															
Nodes	Up to 32															
Cable type	Shielded twisted pair, in compliance with EIA RS485															
Cable length	1200m maximum (4000')															
USB	See Note 4															
Port type	Mini-B															
Galvanic isolation	No															
Specification	USB 2.0 compliant; full speed															
Baud rate range	300 to 115200 bps															
Cable	USB 2.0 compliant; up to 3m															
CANbus port	1															
Nodes	<table border="1" style="display: inline-table; border-collapse: collapse;"> <thead> <tr> <th style="border-right: 1px solid black;">CANopen</th> <th>Unitronics' CANbus protocols</th> </tr> </thead> <tbody> <tr> <td style="border-right: 1px solid black;">127</td> <td>60</td> </tr> </tbody> </table>		CANopen	Unitronics' CANbus protocols	127	60										
CANopen	Unitronics' CANbus protocols															
127	60															
Power requirements	24VDC (±4%), 40mA max. per unit. See Note 5															
Galvanic isolation	Yes, between CANbus and controller															
Cable length/baud rate	<table border="0" style="display: inline-table;"> <tr> <td style="padding-right: 20px;">25 m</td> <td>1 Mbit/s</td> </tr> <tr> <td>100 m</td> <td>500 Kbit/s</td> </tr> <tr> <td>250 m</td> <td>250 Kbit/s</td> </tr> <tr> <td>500 m</td> <td>125 Kbit/s</td> </tr> <tr> <td>500 m</td> <td>100 Kbit/s</td> </tr> <tr> <td>1000 m*</td> <td>50 Kbit/s</td> </tr> <tr> <td>1000 m*</td> <td>20 Kbit/s</td> </tr> </table>		25 m	1 Mbit/s	100 m	500 Kbit/s	250 m	250 Kbit/s	500 m	125 Kbit/s	500 m	100 Kbit/s	1000 m*	50 Kbit/s	1000 m*	20 Kbit/s
25 m	1 Mbit/s															
100 m	500 Kbit/s															
250 m	250 Kbit/s															
500 m	125 Kbit/s															
500 m	100 Kbit/s															
1000 m*	50 Kbit/s															
1000 m*	20 Kbit/s															
See Note 5	* If you require cable lengths over 500 meters, contact technical support.															
Optional port	User may install a single Ethernet port, or an RS232/RS485 port. Available by separate order.															

Notes:

3. The standard for each port is set to either RS232/RS485 according to DIP switch settings. Refer to the Installation Guide.
4. The USB port may be used for programming, OS download, and PC access. Note that COM port 1 function is suspended when this port is physically connected to a PC.
5. Supports both 12 and 24VDC CANbus power supply, (±4%), 40mA maximum per unit. Note that if 12 VDC is used, the maximum cable length is 150 meters.

I/Os

	Number of I/Os and types vary according to module. Supports up to 1024 digital, high-speed, and analog I/Os.
Snap-in I/O modules	Plugs into rear port to create self-contained PLC with up to 62 I/Os.
Expansion modules	<u>Local adapter</u> (P.N. EX-A1), via I/O Expansion Port. Integrate up to 8 I/O Expansion Modules comprising up to 128 additional I/Os. <u>Remote adapter</u> (P.N. EX-RC1), via CANbus port. Connect up to 60 adapters; connect up to 8 I/O expansion modules to each adapter.
Exp. port isolation	Galvanic

Dimensions

Size	289X244.5X59.1mm (11.37"X9.62"X2.32"). See Note 6
Weight	1.5kg (52.9 oz)

Notes:

6. For exact dimensions, refer to the product's Installation Guide.

Mounting

Panel-mounting	Via brackets
----------------	--------------

Environment

Inside cabinet	IP20 / NEMA1 (case)
Panel mounted	IP65 / NEMA4X (front panel)
Operational temperature	0 to 50°C (32 to 122°F)
Storage temperature	-20 to 60°C (-4 to 140°F)
Relative Humidity (RH)	5% to 95% (non-condensing)

The information in this document reflects products at the date of printing. Unitronics reserves the right, subject to all applicable laws, at any time, at its sole discretion, and without notice, to discontinue or change the features, designs, materials and other specifications of its products, and to either permanently or temporarily withdraw any of the foregoing from the market.

All information in this document is provided "as is" without warranty of any kind, either expressed or implied, including but not limited to any implied warranties of merchantability, fitness for a particular purpose, or non-infringement. Unitronics assumes no responsibility for errors or omissions in the information presented in this document. In no event shall Unitronics be liable for any special, incidental, indirect or consequential damages of any kind, or any damages whatsoever arising out of or in connection with the use or performance of this information.

The tradenames, trademarks, logos and service marks presented in this document, including their design, are the property of Unitronics (1989) (R"G) Ltd. or other third parties and you are not permitted to use them without the prior written consent of Unitronics or such third party as may own them.